



# VORTEX FLUID SYSTEMS INC.

vortexfluidsystems.com

## ORBITAL® 3000

### DESCRIPTION

The Orbital® 3000 shale shaker has proven itself in both the drilling and mining industry. It is a high performance, low maintenance design which incorporates longevity features such as seal welding and a multi-layer premium coating system for corrosion protection. The Orbital® 3000 is considered by many of our customers as one of their best investments on the drilling rig. Couple this with a patent pending screen seal that is as easy to change as a set of screens and it is no wonder the Orbital® 3000 has gained an unparalleled reputation with both rig owners and tool pushers as the best shaker in the oilfield.

### PERFORMANCE

The screen area of the 4 panel shaker is 30 ft<sup>2</sup> with an acceleration of 6 g's standard and 7.5 g's optional. The combination of screen surface area, high g's, and screen motion make the Orbital® 3000 one of the best performing machines in the industry. Orbital® shakers use progressive elliptical motion for extended screen life and excellent conveyance.

### FEATURES

ORBITAL® shakers have many beneficial features.

- ☑ **ACCELERATION:** 6g's (standard) to 7.5 g's (optional)
- ☑ **SCREEN AREA:** 30 ft<sup>2</sup> of screening area
- ☑ **MOTION:** elliptical motion
- ☑ **SCREEN LIFE:** ORBITAL® shakers have exceptional screen life
- ☑ **SEAL WELDED:** fully seal welded baskets.
- ☑ **LOW MAINTENANCE:** ultra low maintenance design
- ☑ **LOW NOISE:** 70 db standing 3ft from discharge
- ☑ **ABRASION PROTECTION:** two layers of powder coat
- ☑ **SCREEN SEALS:** patent pending screen seals are as easy to change as a set of screens
- ☑ **VIBRATORS:** vibrators are one of the most overbuilt electrically and mechanically in the industry
- ☑ **MANUFACTURING:** Made in the USA



ORBITAL® 3000 (FRONT VIEW)



ORBITAL® 3000 (BACK VIEW)



**VORTEX FLUID SYSTEMS INC.**  
Serving our customers worldwide...

www.vortexfluidsystems.com  
office: 918.810.7798 • fax: 918.492.1688



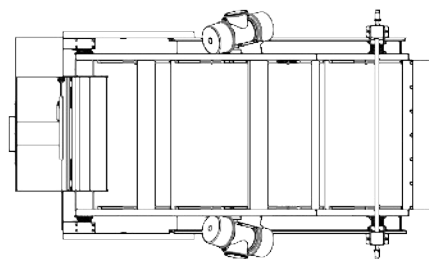
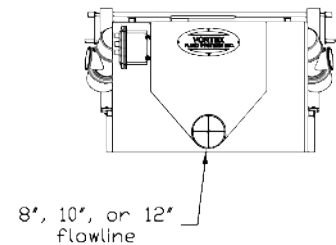
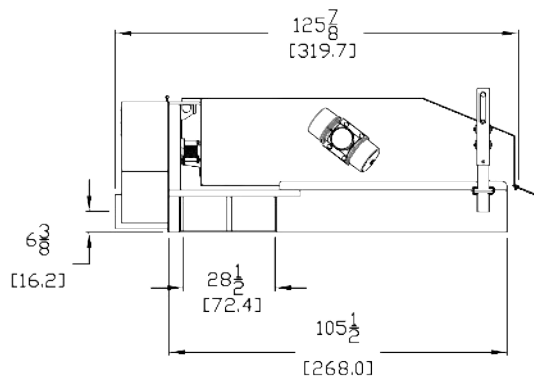
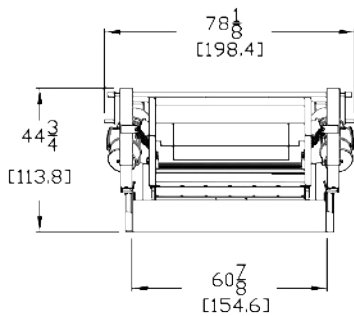
# VORTEX FLUID SYSTEMS INC.

vortexfluidsystems.com

## SPECIFICATIONS AND DIMENSIONS

### ORBITAL® 3000

<b>NAME:</b> Orbital® 3000
<b>SCREEN AREA:</b> 30 ft <sup>2</sup> [2.8 m <sup>2</sup> ]
<b>"G" FORCE:</b> 6 g's (standard), 7.5 g's (optional)
<b>MOTION:</b> Progressive Elliptical
<b>DIMENSIONS (LxWxH):</b> 125-7/8x78-1/8x44-3/4in (320x78x44cm)
<b>BASE DIMENSIONS (LxW):</b> 105-1/2x61in (268x155cm)
<b>WEIGHT:</b> 3,900lb [1,769kg]
<b>WEIR HEIGHT:</b> 26.5in [67.3cm] (standard) or 24 in [61cm] optional
<b>ADJUSTMENT ANGLE:</b> 0 to 8 degrees
<b>ANGLE CHANGE TYPE:</b> hand crank (standard) or center wheel (optional)
<b>SCREEN TYPE:</b> pretension
<b>SCREEN NUMBER:</b> 4 screens
<b>SCREEN SIZE:</b> 46.25 x 24 in [117 x 61 in]
<b>MOTORS:</b> Italvibras, 1800 rpm, 50 or 60 hz
<b>MOTOR RATING:</b> UL Class 1, Div 1, ATEX/IECEX (opt), explosion proof
<b>ELECTRICAL BOX RATING:</b> UL Class 1, Div 1, ATEX/IECEX (opt), explosion proof



VORTEX FLUID SYSTEMS INC.  
Serving our customers worldwide...

www.vortexfluidsystems.com  
office: 918.810.7798 • fax: 918.492.1688