



VORTEX FLUID SYSTEMS INC.

vortexfluidsystems.com

ORBITAL® 3000 HORIZONTAL BORING

DESCRIPTION

The Orbital® 3000 Horizontal Boring is a four panel shaker specially designed to handle high solids content mud often found on horizontal rigs. The shaker has a tall backwall, mounted on an open frame base and is fed with a four inch threaded flow distributor. The Orbital® 3000 Horizontal Boring shaker, with 30 ft² of screen area, is only 8' 5.5" enabling transportation without a wide load permit.

BENEFITS IN PROCESSING CUTTINGS

Horizontal boring applications require shakers capable of handling high solids laden fluids. The VFSI Orbital® 3000 Horizontal Boring shaker has exceptionally good solids conveyance. As a result, solids do not pile up on the shaker. This greatly improves fluid handling capacity and screen life.

PERFORMANCE

The screen area of the Orbital® 3000 Horizontal Boring shaker has 30 ft² with 6 g's of acceleration. The combination of screen surface area, high g's, and screen motion make the Orbital® 3000 one of the best performing machines in the industry. The Orbital® 3000 shakers use progressive elliptical motion for extended screen life and excellent conveyance.

FEATURES

Orbital® shakers have many beneficial features.

- ☑ **ACCELERATION:** 6 g's (standard) to 7.5 g's (optional)
- ☑ **SCREEN AREA:** 30 ft² of screening area
- ☑ **MOTION:** elliptical motion
- ☑ **SCREEN LIFE:** ORBITAL® shakers have exceptional screen life
- ☑ **SEAL WELDED:** fully seal welded baskets.
- ☑ **LOW MAINTENANCE:** ultra low maintenance design
- ☑ **LOW NOISE:** 70 db standing 3ft from discharge
- ☑ **ABRASION PROTECTION:** two layers of powder coat
- ☑ **SCREEN SEALS:** patent pending screen seals are as easy to change as a set of screens
- ☑ **VIBRATORS:** vibrators are one of the most overbuilt electrically and mechanically in the industry
- ☑ **MANUFACTURING:** Made in USA



THE "DIRTY SECRET" (SOLIDS BYPASS)

The "dirty secret" of shakers is that many shakers bypass solids around the screen into the tankage due to improper sealing of screens and poor basket design. Because horizontal boring applications have high solids content this problem is made even worse. Vortex shakers do not have this problem. Our customers report extremely low solids bypassing the screen. This is a result of well designed and manufactured seals and proper screen tensioning.



VORTEX FLUID SYSTEMS INC.
Serving our customers worldwide...

www.vortexfluidsystems.com
office: 918.810.7798 • fax: 918.492.1688



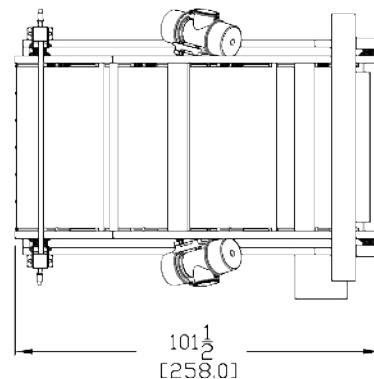
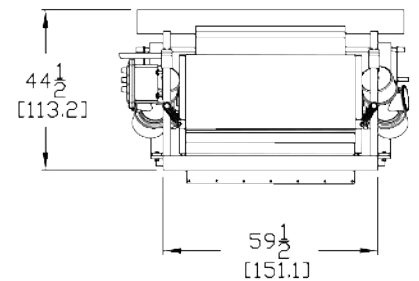
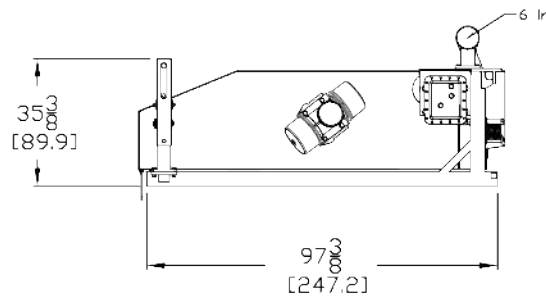
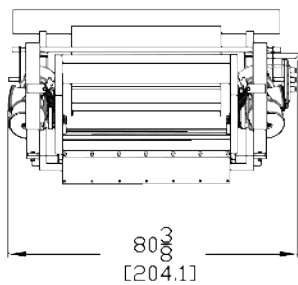
VORTEX FLUID SYSTEMS INC.

vortexfluidsystems.com

SPECIFICATIONS AND DIMENSIONS

ORBITAL® 3000 HORIZONTAL BORING

NAME: Orbital® 3000 Horizontal Boring
SCREEN AREA: 30 ft ² [2.8 m ²]
"G" FORCE: 6 g's (standard), 7.5 g's (optional)
MOTION: Progressive Elliptical
DIMENSIONS (LxWxH): 101-1/2x80-3/8x44-1/2in (258x204x113.2cm)
BASE DIMENSIONS (LxW): 97-3/8x59-1/2in (247x151cm)
WEIGHT: lb [kg]
FEED HEIGHT: 25-3/8in [65cm] (standard) - adjustable
ADJUSTMENT ANGLE: 0 to 8 degrees
ANGLE CHANGE TYPE: hand crank (standard) or center wheel (optional)
SCREEN TYPE: pretension
SCREEN NUMBER: 4 screens
SCREEN SIZE: 46.25 x 24 in [117 x 61 in]
MOTORS: Italvibras, 1800 rpm, 50 or 60 hz
MOTOR TYPE: UL Class 1, Div 1, ATEX/IECEX (opt), explosion proof
ELECTRICAL BOX TYPE: UL Class 1, Div 1, ATEX/IECEX (opt), explosion proof



VORTEX FLUID SYSTEMS INC.
Serving our customers worldwide...

www.vortexfluidsystems.com
office: 918.810.7798 • fax: 918.492.1688